

2" & 2½" Horizontal Blind Installation Instructions

You will need:

Pencil, tape measure, drill, screwdriver, level, and appropriate fasteners

1 Locate installation screws



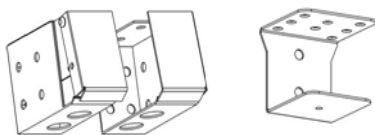
1½" #8 hex head wood screws (included)

Alternative fasteners should be used for metal, brick, tile or concrete installations (**not** included)

2 Mark blind location

Position the blind in the desired location, making sure that the blind is level when marking. Mark above and at the ends of the blind.

3 Mark the bracket locations



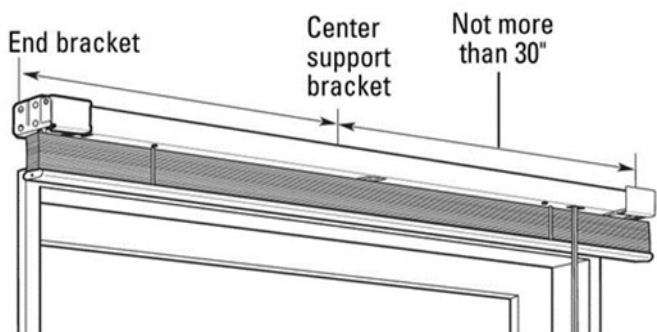
End Box Bracket Center Support

Use the following # of Center Support installation brackets based on the blind width			
Up to 36"	36 1/8" – 60"	60 1/8" – 72"	Greater than 72 1/8"
0	1	2	3

Outside mounting installation

Align mounting bracket with blind location marks and mark two (2) screw locations.

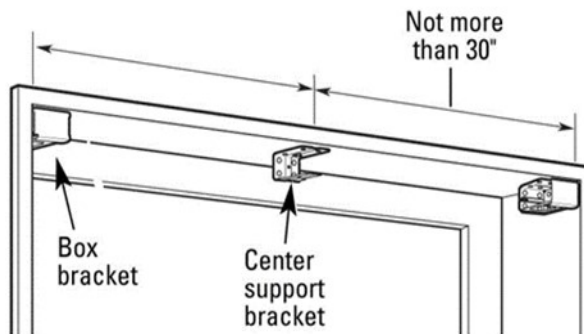
If center support bracket is required; position the top of the center support brackets in line with the top of the end brackets. Locate center supports evenly along the headrail, making sure that they do not interfere with the blind ladder or working parts. Check for levelness.



Inside mount installation

Align mounting bracket with blind location marks and mark two (2) screw locations. Depending on the installation location, box brackets can be attached using the top, back, or side holes.

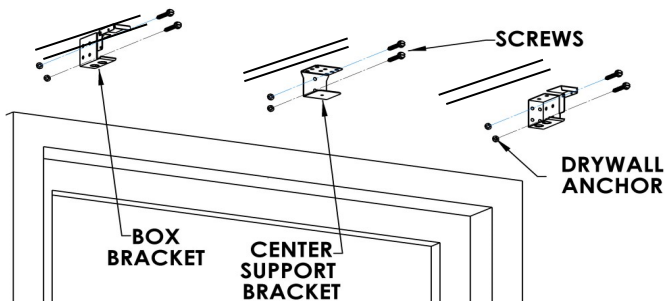
If center support bracket is required; position the top of the center support brackets in line with the top of the end brackets. Locate center supports evenly along the headrail, making sure that they do not interfere with the blind ladder or working parts.



4 Bracket installation

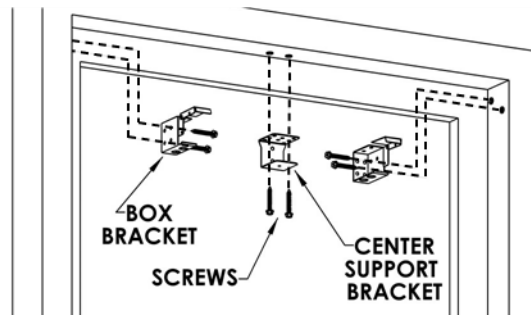
Outside mounting installation

Screw brackets into wall as shown



Inside mount installation

Screw brackets into wall as shown



5 Valance clip installation *Skip this step if the valance has pre-installed magnetic valance clips.*

Attach the plastic valance clips to the front of the headrail, one (1) approximately 5½" from each end. Space any remaining clips evenly between the two clips on the ends.

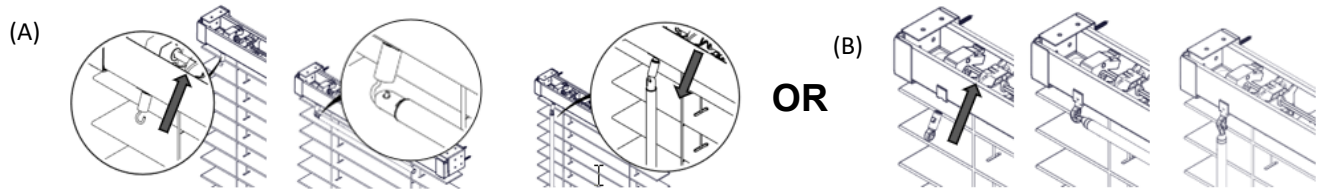
Valance clips needed based on blind width			
Up to 47.99"	2	72" - 95.99"	4
48" - 71.99"	3	96" - 119.99"	5
		120"+	6

2" & 2½" Horizontal Blind Installation Instructions

6

Attach wand (if required)

(A) Attach wand by sliding the outer casing of the tilter stem up to expose the hook. Insert the wand and slide the outer casing down.
OR (B) insert wand stem into wand tilter on the headrail and attach the wand to the wand stem.



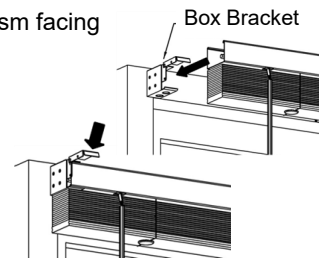
7

Blind installation

Align the headrail with the center support and box brackets. The headrail should have the tilt mechanism facing toward the room.

Be careful not to trap the top slat in the brackets. Slide the headrail straight back until it is snug in the brackets.

Lower the bracket door making sure that it **snaps** securely closed.

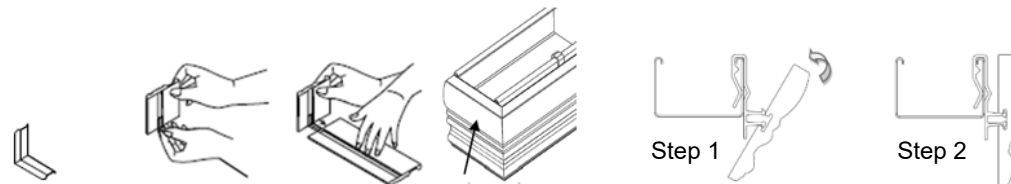


8

Valance installation

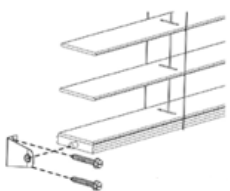
Optional valance returns (not required for flush mount installation or straight cut valances.) Insert the valance return bracket into the return and the valance to attach the returns.

If your blind has pre-installed magnetic valance clips – simply secure the valance to the steel headrail. If not, press the slot in the valance against the bottom post of the valance clip (Step 1) and rotate it upward. Push the valance against the valance clip. The two parts should snap together.



9

Attach hold down brackets (optional)



With the hold down brackets attached to the bottom rail, lower the blind to the hold down bracket mounting surface and mark the bracket locations.

Attach the hold down brackets at the bottom of the window or door with the included screws as shown.

To attach the bottom rail, gently pull the brackets out slightly and insert the pin into the bracket.

Cordless Operating Instructions

To lower the blind, pull down on the bottom rail with one hand gripping it near the middle or with both hands grabbing the bottom rail at equal distance from the center. When released, the blind will stay at the desired height. **To raise the blind**, hold the bottom rail with two hands keeping the blind level while guiding the blind to the desired height. Once released, the blind will stay in place.

To tilt the blind, turn the tilter wand in either direction.

Corded Operating Instructions

To lower the blind, pull the cord down and towards the center of the blind to unlock the cord. Then slowly release the cord until the blind reaches the desired location. Move the cord past the outer edge of the blind and let go to lock the cord. **To raise the blind**, pull the cord straight down until the blind reaches the desired location. Move the cord past the outer edge of the blind and let go to lock the cord in place.

To tilt the blind, turn the tilter wand in either direction or pull the tilt cord to desired slat location.

Routeless or No Holes Privacy Troubleshooting

Due to the nature of the product feature, the blind slats may shift during shipping. This does not represent a product defect. Once the blind is hung and lowered in the window, slide the slats back into position so that the vertical blind string is seated in the notch on the back of the horizontal slat.